

SENSA[®]
THE SMART
SWITCH DOOR



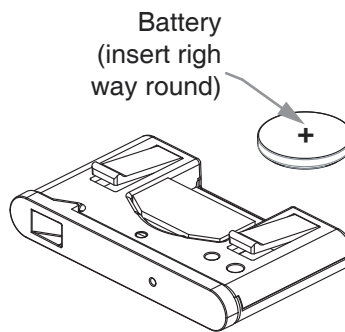
SENSOR DESCRIPTION

SENSA T: turn on the light when the user opens the door and turns off it automatically after a fixed time. The timer countdown is activated everytime a movement of the door is detected.

SANSA M: turn on the light when the user opens the door and turns off it automatically after a fixed time or recognizing a magnetic contact. The timer countdown is activated everytime a movement of the door is detected.

HOW TO USE THIS DEMO

1 - Insert the battery

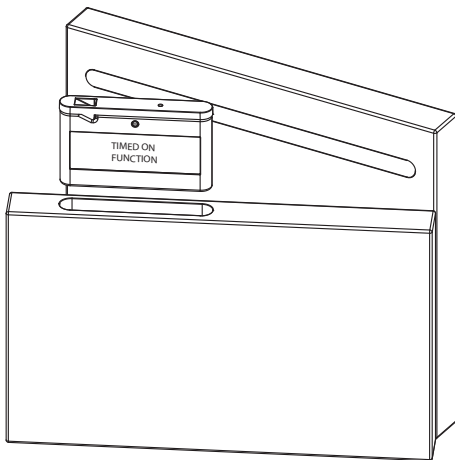


Do you want to use an timed on (**SENSA T** operation)
or timed on and magnetic off (**SENSA M** operation) ?

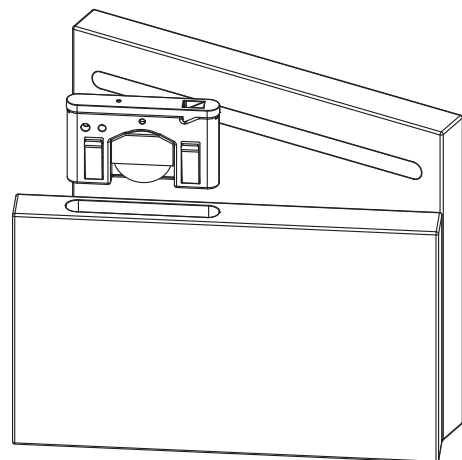
Timed on

Timed on and
Magnetic off

2a - Insert the sensor from the sticker side



2b - Insert the sensor from the battery side



NOTE: The sensor is already associated in the control unit.
When you insert the battery it immediately starts to work.